



Engineered and supported
by people you trust



MJ1-60
Directional

MJ2-60
Whirly

MJ3-60
3 Scallops, Directional

MJ4-60
Low Profile

Micro Jets

Micro Jets are small whirlpool bath jets for water system applications. Due to their size and profile, they are typically used as seat or back jets.

Features and Benefits

Small Size Flexibly used in many whirlpool bath applications.

Stylish Design Complement most contemporary bathtub applications. Available in directional, whirly, adjustable, and low profile designs.

Easy to Install Sold and installed as completed assemblies, can be plumbed through use of a multi-port manifold.

Easy to Purchase

Product in stock

No minimum order quantity

Same day shipping upon request

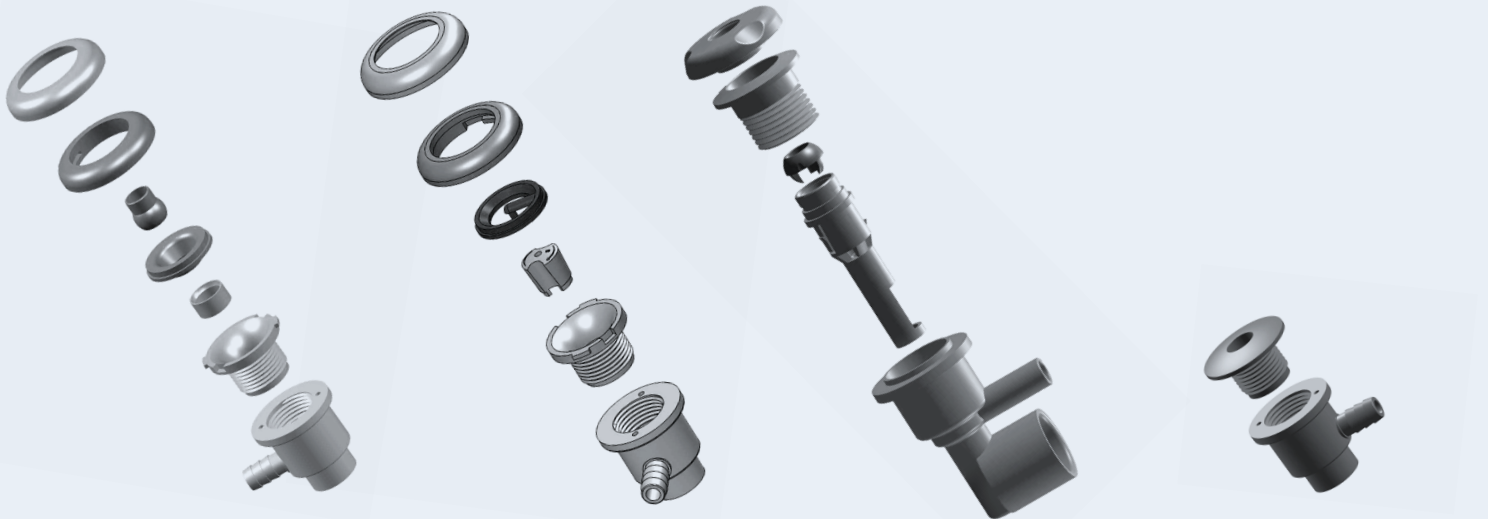
Available in wide variety of popular finishes.

Exceptional service support: Water Systems are supported by the best engineering, sales and customer care in the Whirlpool Bath industry.



Engineered and supported
by people you trust

Exploded View — 2 or 3 Part Assemblies



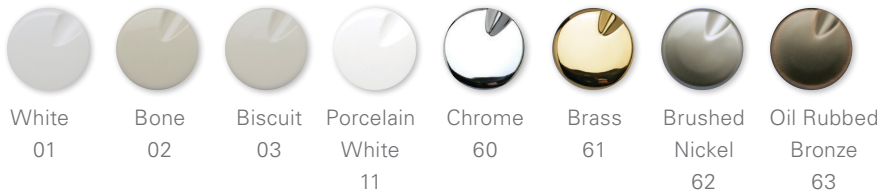
MJ1-xx Directional

MJ2-xx Whirly

MJ3-xx 3 Scallops, Directional

MJ4-xx Low Profile

Available in the following colors



Micro Jet Assembly Ordering

(replace xx with color number above)

- MJ1-xx** Directional Eyeball, 1/2" X 3/8", 3.8cm
- MJ2-xx** Whirly, 1/2" X 3/8", 3.8cm
- MJ3-xx** Directional Eyeball, 1/2" X 3/8", 90° Elbow, 3 Scallops, 3.8cm
- MJW3-xx** Directional Eyeball—Water Only (airline closed), 1/2" Socket, 90° Elbow, 3 Scallops, 3.8cm
- MJ4-xx** Low Profile, 1/2" X 3/8", 3.8cm

Installation

Mounting Hole Size: 1"

Tub Wall: Accommodates up to 3/8"

contact us to learn why we are the industry's preferred jetted tub supplier

nuwhirl.com | 951 817 5600 | 2066 California Avenue, Corona, CA

7/2013