



Engineered and supported
by people you trust



SAI1-60



JAI8PLS1-60



JAI6PLS1-60



MJ11-60



SACI-60



ABI-60



AIISG1-60



AIISP1-60

Impressions

An innovative collection of flush mounted fittings for Whirlpool Bath Tubs.

Features and Benefits

Stylish Design U.S. patented, Bauhaus inspired design that takes Whirlpool Bath Tub aesthetics to a new level.

Certified Suction fitting carries cURus certification.

Unique Features Adjustable Nozzle Jets and Micro Jets with directional eyeballs.

Easy to Install Sold and installed as complete assemblies.

Sanitary Jets retain 10 mL (0.3 fl. oz.) or less of residual water.

Superior Check Valves Air Injectors have “Duck Bill” type check valves; due to their superior reliability, Duck Bill check valves are used extensively in the medical industry.

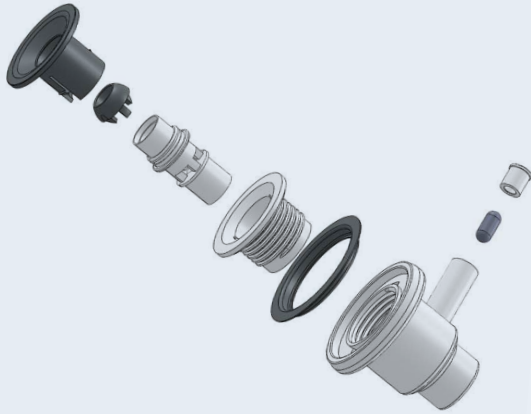
Popular Color Palette Available in Porcelain White and Chrome. Custom colors available upon request.

Instant Service Product in stock. No minimums. Same day shipping upon request.

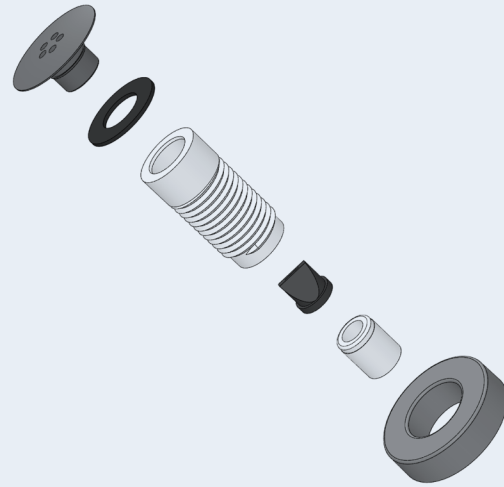
Exceptional service support: Impressions is supported by the best engineering, sales and customer care in the Whirlpool Bath industry.



Engineered and supported
by people you trust



MJ11-XX



AIISP1-XX

Available in the following colors



Porcelain White 11 Chrome 60

Ordering

(replace XX with color number above)

Air Injectors

- AIISG1-XX** Air Injector, 1", Single Hole, Flush
- AIISG2-XX** Air Injector, 1.5", Single Hole, Flush
- AIISP1-XX** Air Injector, 1",
Salt & Pepper Style, Flush
- AIISP2-XX** Air Injector, 1.5",
Salt & Pepper Style, Flush
- MJ11-XX** Micro Jet 3 Part Assembly, 4.6CM,
Directional Eyeball,
3/8" Spigot X 1" Socket, Flush
- SAI1-XX** Suction Assembly, 9.46CM, Flush
- 300301** Air Injector, 3/8" Elbow, Barbed
- 300302** Air Injector, 3/8" Tee, Barbed

Waterjets and Controls

- ABI-XX** Air Button, Flush
- JAI6PLS1-XX** Jet Assembly, 6.46CM,
Directional Eyeball,
3/8" Spigot X 1" Socket,
Straight, Flush
- JAI8PLS1-XX** Jet Assembly, 8.16CM,
Adjustable & Directional Nozzle,
3/8" Spigot X 1" Socket,
Straight, Flush
- JAI6PLV1-XX** Jet Assembly, 6.46CM,
Directional Eyeball,
3/8" Spigot X 1" Socket, Vee, Flush
- SACI-XX** Silent Air Control, Flush
- 406005** Elbow, 1/2", 90 Degree, PVC
- 401005** Tee, 1/2", PVC

contact us to learn why we are the industry's preferred jetted tub supplier

nuwhirl.com | 951 817 5600 | 2066 California Avenue, Corona, CA

11/2014