



Engineered and supported
by people you trust



Hercules II Hydro Massage Pumps

Hercules II Hydro Massage Pumps feature energy efficient, single phase induction motors with thermal protection, copper windings, cast aluminum end bells, and a glass-filled polypropylene wet end assembly.

Features and Benefits

Proven Technology Second generation cast aluminum end bell construction with a wear-resistant mechanical seal and Class F insulation ensures years of safe and reliable use.

Performance Among the highest performing pumps in the Whirlpool Bath industry.

Certifications UL and CSA

Quiet Most models operate between 70-73.5 dB.

Energy Efficient High horse-power to amp-draw ratio.

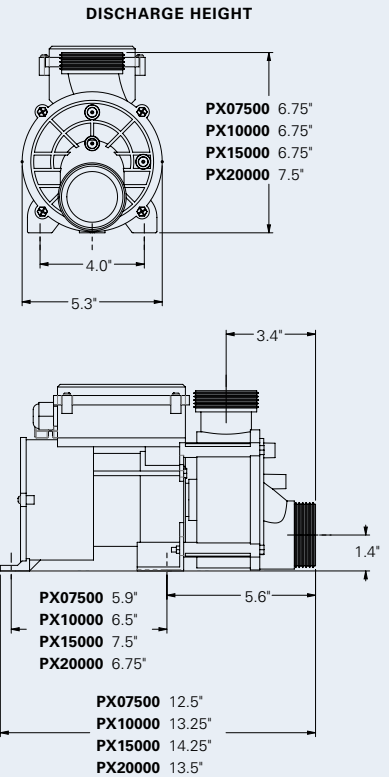
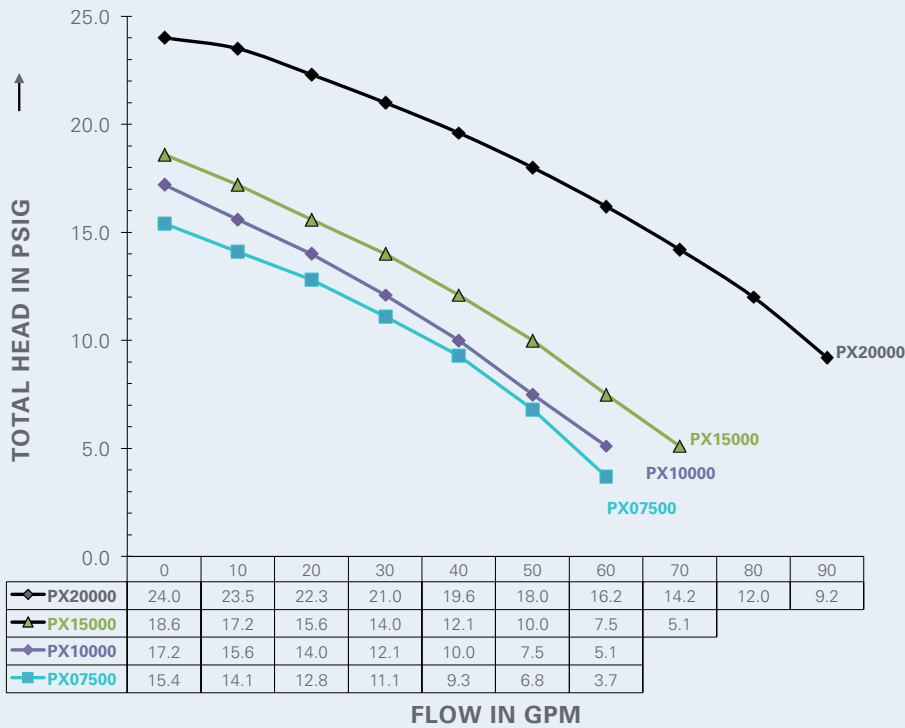
Wide Selection Available in 5.0A, 7.0A, 9.0A and 13.0A. Air Switch and Timer options.

Easy to Purchase In stock. Backed by industry leading customer care. Same day shipping upon request.

Exceptional service support: Hercules II Hydro Massage Pumps are supported by the best engineering, sales and customer care in the Whirlpool Bath industry.



Engineered and supported
by people you trust



Pump Performance

Schematic

Ordering

Pumps	120V/60HZ, Cord & Plug
PX07500SCS	¾HP, 5.0A, Air Switch, Single
PX10000SCS	1HP, 7.0A, Air Switch, Single
PX15000SCS	1½HP, 9.0A, Air Switch, Single
PX20000SCS	2HP, 13.0A, Air Switch, Single
PX07500SCB	¾HP, 5.0A, Air Switch, Bulk
PX10000SCB	1HP, 7.0A, Air Switch, Bulk
PX15000SCB	1½HP, 9.0A, Air Switch, Bulk
PX20000SCB	2HP, 13.0A, Air Switch, Bulk
PX07500TCS	¾HP, 5.0A, Timer, Single
PX10000TCS	1HP, 7.0A, Timer, Single
PX15000TCS	1½HP, 9.0A, Timer, Single
PX07500TCB	¾HP, 5.0A, Timer, Bulk
PX10000TCB	1HP, 7.0A, Timer, Bulk
PX15000TCB	1½HP, 9.0A, Timer, Bulk

Pump Fittings

601102	1½" Connector Assembly
601103	1" Outlet Tee Assembly
601108	1" Outlet Tee Assembly, Vinyl Tubing Applications
601111	1½' Pump Union, Male

A selection of pump stands are also available.

Specifications

HP	¾	1	1½	2
Amps	5.0	7.0	9.0	13.0
Weight-uncartoned	10½lb	11½lb	14lb	19¼lb
Bulk Pack Qty	56	56	56	36

contact us to learn why we are the industry's preferred jetted tub supplier

nuwhirl.com | 951 817 5600 | 2066 California Avenue, Corona, CA

8/2013