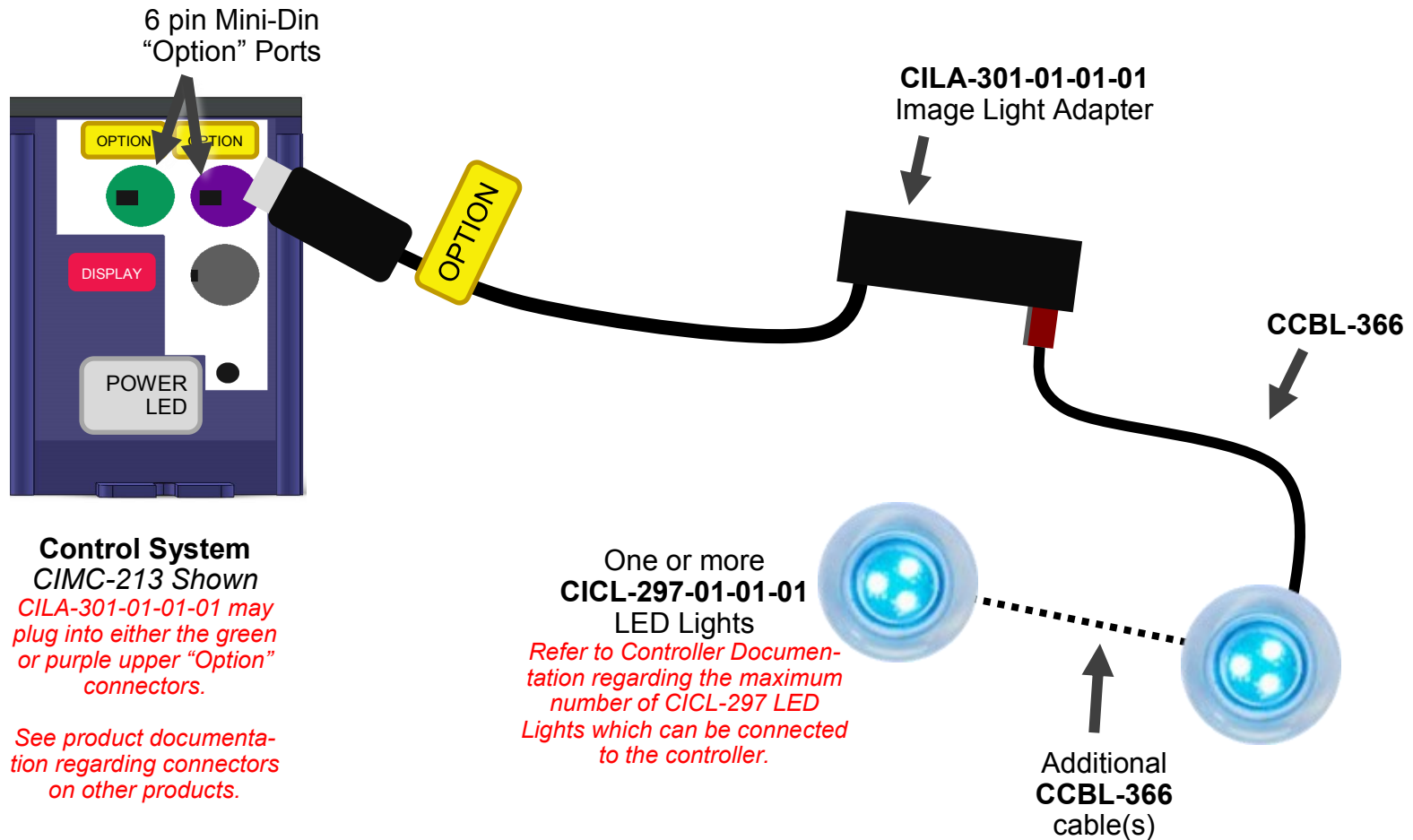


System Identification: CILA-301-01-01-01
System features: Image Light Adapter

Installation Diagram:



NOTES:

1. Connect light adapter and cables to ports as shown.
2. Do not connect any more than four CICL LED lights to the control unit.

Failure to connect cables to ports as shown, may damage the adapter, control box and its components. To be used in conjunction with all other product instructions published by NuWhirl.