



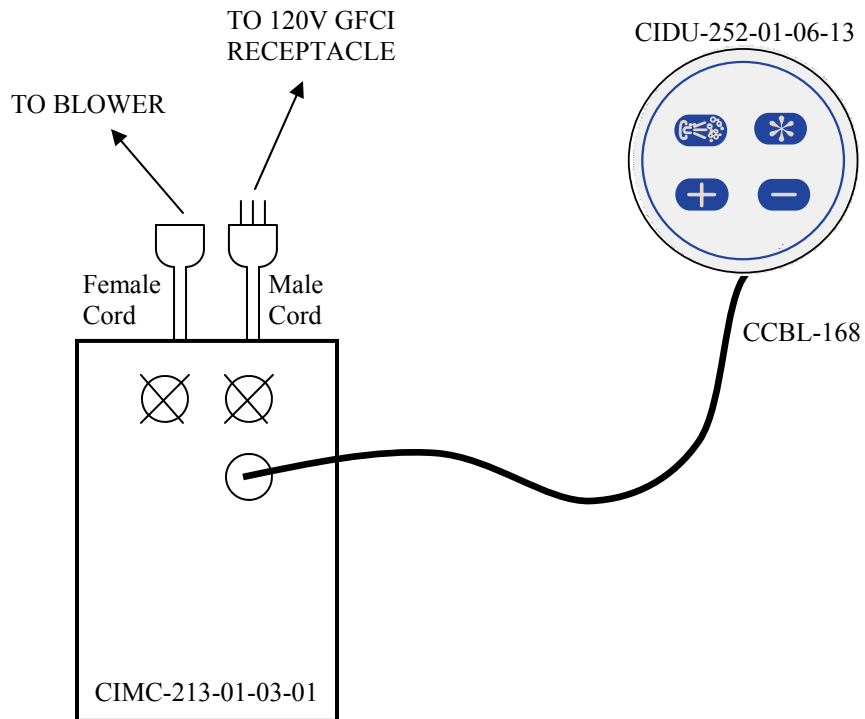
TOUCHSTONE Control System Installation Instructions

System Identification: CIDU-252-01-06-13 - Configuration #7

System Features: Automatic 20-minute Run Timer, Variable Speed Air Blower, Wave Mode, Automatic Dry Cycle

Note: For instructions on setting the Configuration # see "Keypad Configuration Instructions" (available at www.nuwhirl.com).

Installation Diagram:



NOTES:

1. Use wire clips provided to retain cables.
2. CAUTION: Do not plug 8-pin cables into 6-pin ports - damage may result to system!