



*Engineered and supported
by people you trust*



Zone-Master Water Jet

Zone-Master is a large adjustable water jet for whirlpool baths

Features and Benefits

Stylish Design Complements most contemporary bath tub applications.

Increased Water Flow Adjustable and directional water flow up to 7.4 GPM.

Easy to Install Installs easily (1" PVC socket water by 3/8" spigot air).

Easy to Purchase

Product in stock

No minimum order quantity

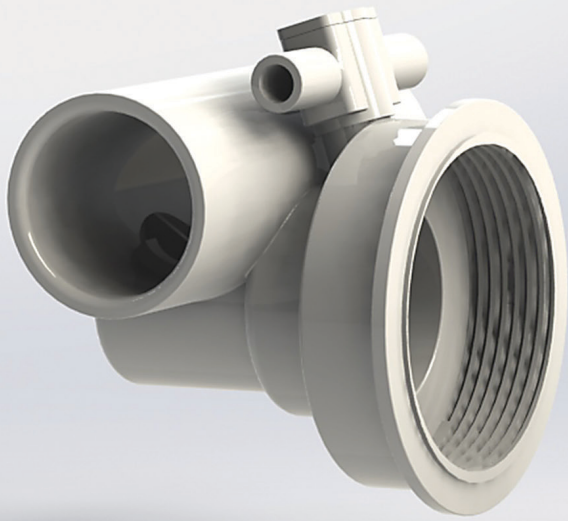
Same day shipping upon request

Colors: white, bone, biscuit and chrome

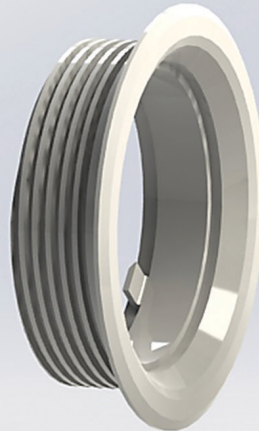
Exceptional service support: Zone-Master is supported by the best engineering, sales and customer care in the Whirlpool Bath industry.



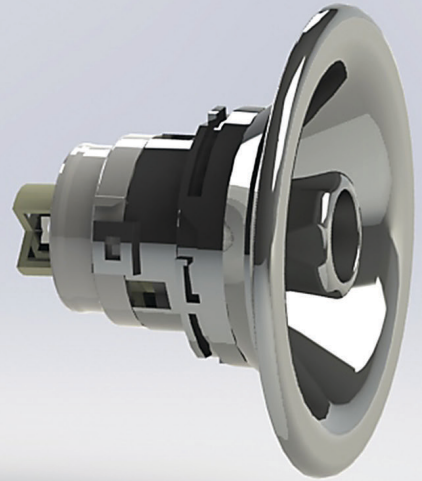
Engineered and supported
by people you trust



VZ38SXX Venturi



300112 Body



FZ8PL5-XX Jetface

Jetface available in the following colors



White
01



Bone
02



Biscuit
03



Chrome
60

Ordering

(replace XX with color number above)

300112 Body, Zone-Master, 3/4"

VZ38SXX Venturi, Zone-Master,
3/8" X 1", Straight

FZ8PL5-XX Jetface, Zone-Master, 8CM,
PLAIN, Adjustable & Directional Nozzle

Installation

Mounting Hole Size: 2.50"

Tub Wall: Accommodates up to .430"

contact us to learn why we are the industry's preferred jetted tub supplier

nuwhirl.com | 951 817 5600 | 2066 California Avenue, Corona, CA

1/2013